



Naturo

WOOD CATALOGUE



CONTENTS

TYPES OF WOOD	10
NATURO 68	14
NATURO 76	16
NATURO 88	18
NATURO ALU 65	20
NATURO ALU 75	22
ESPERIA LIFE 80	24
ESPERIA LIFE ALU 74	25
ESPERIA LIFE 92	26
ESPERIA LIFE ALU 86	27
NATURO 68/76 HST	28
ACCESSORIES	31
MODEL WINDOWS AND DOORS	42
WOODLINE DOOR PANELS	44
EKOVITRE DOOR PANELS	52
WOODEN DOORS	56
CROSS-SECTIONS	67





TIMELESS WOODEN WINDOWS AND DOORS

Wooden windows are an option for those who appreciate the beauty and natural character of wood. They will satisfy those who like to enjoy bright and spacious interiors. Wooden windows add character to any room and make it cosier. The natural appearance of wood pleases the eye and "warms" the interior.

The windows are available in the depths of the frame construction - 65, 68, 74, 75, 76, 80, 86, 88 and 92 mm. They are made of four types of wood - pine, spruce, meranti or oak. Wooden windows are also available with an aluminium cover, which provides additional protection against external factors and provides unlimited arrangement possibilities.



INDIVIDUALISM

We adapt individual projects to the user's requirements, as well as the appearance and character of the building. Knowledge and experience in the production of wooden joinery allow us to create projects that fully meet customer expectations. Depending on the needs, wooden windows and doors can take various forms. The most unusual projects require precise calculations by specialists, which should not discourage individual and creative implementation.



VARNISHES

A wide range of colours of varnishes allows for individual configuration of the order and matching wooden windows and doors to any interior and style. Apart from aesthetics, they also fulfil many other functions. Varnishes create a durable layer on the surface of the wood, which provides maximum protection against adverse external conditions.



TRANSPORT

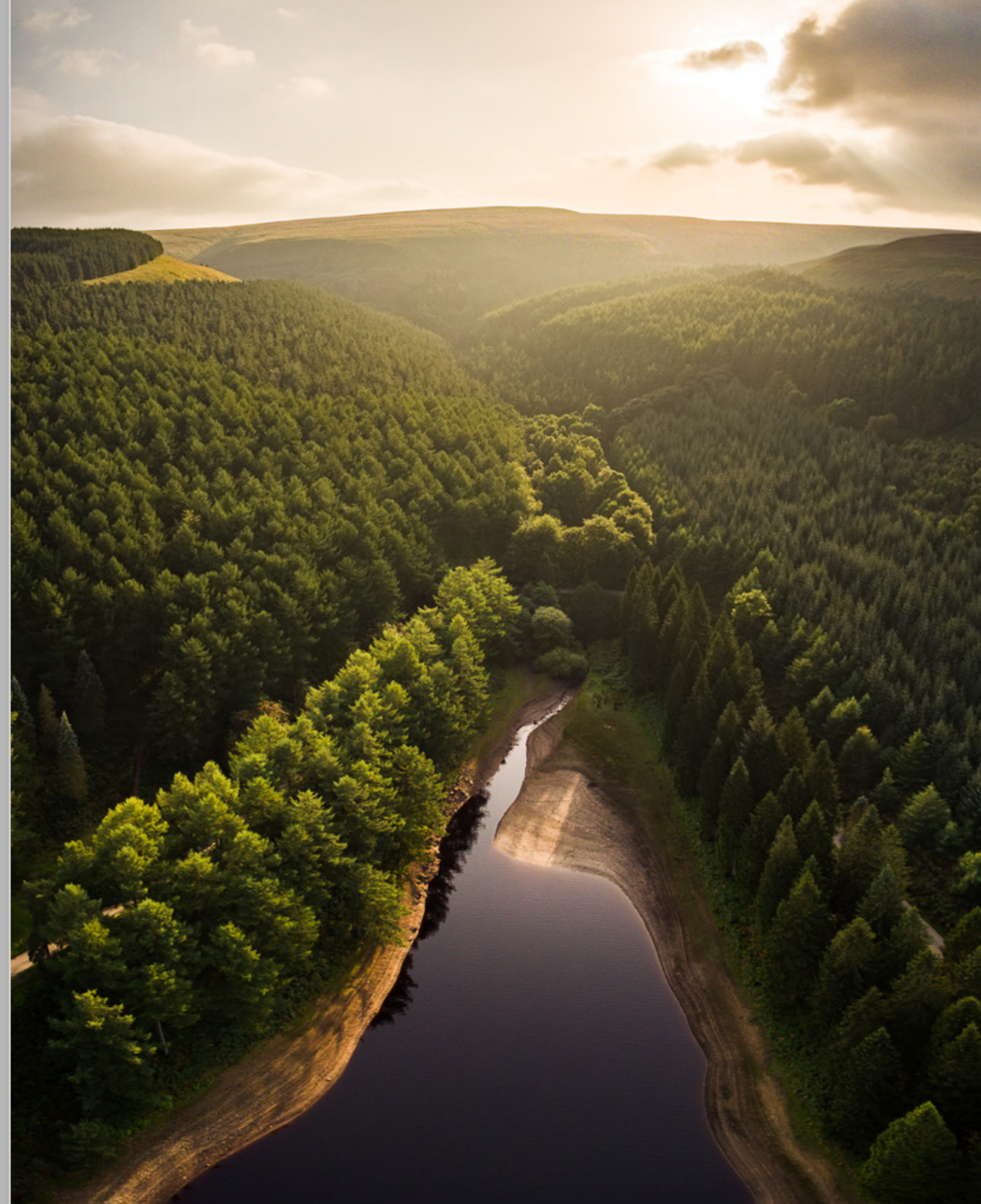
In order to ensure timely delivery of orders, we have created our own fleet of trucks. Each of them is equipped with a forklift, therefore, in addition to transport, we also unload the order at the indicated place. In response to your needs, each of our vehicles has been equipped with a payment terminal, making it possible to pay by card directly to the driver.



ECOLOGY

Wood is a valuable, natural raw material and completely renewable. Its use in production allows to reduce CO₂ emissions. We use FSC-certified wood for production, which means that the raw materials come from proven and approved sources. This makes our activities socially responsible and environmentally friendly. Less energy is used to produce wooden windows and doors than other raw materials. Wood has a negative impact on global warming by reducing the amount of CO₂ in the atmosphere throughout its lifetime. It also reduces energy costs, being a natural thermal insulator.

With the good of the environment in mind, we are improving our operations and undertaking environmental initiatives daily. One of these is this year's tree-planting campaign. By doing so, we are supporting biodiversity, combating drought and improving air quality.



TYPES OF WOOD*



PINE

The most popular coniferous species used in the production of wooden windows. Pine wood is characterized by a favourable price and high availability. It is an excellent insulating material and is characterized by high resistance to external factors.



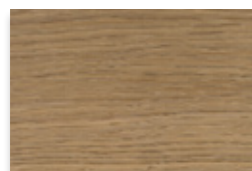
SPRUCE

Spruce wood is easy to work with, so it is widely used in the production of windows and doors. It is not only durable, but also resistant to acids and bases. It dyes well, so you can get beautiful colours of the woodwork made of it.



MERANTI

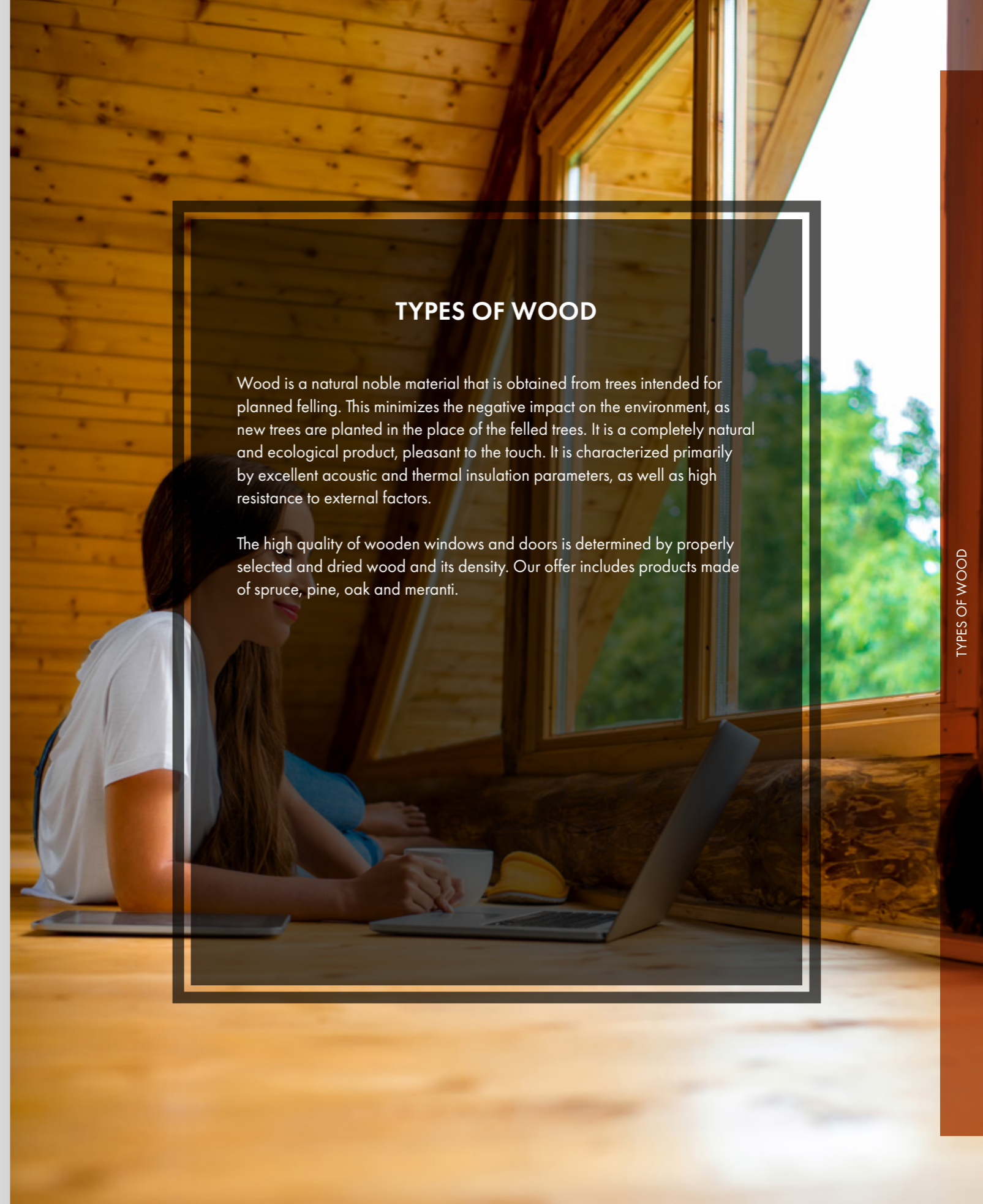
Meranti is an exotic species of wood that is characterized by high density and durability. It has a high resistance to moisture, a low probability of cracks and very good thermal and acoustic insulation parameters. Windows with meranti will please everyone who is looking for exotic beauty combined with high quality and durability.



OAK

It is the most durable wood used in the production of window and door joinery. It provides the best strength parameters among all species found in Poland. Due to its density, oak has a much better soundproofing factor.

* All types of wood are painted with lazures or opaque paints.



TYPES OF WOOD

Wood is a natural noble material that is obtained from trees intended for planned felling. This minimizes the negative impact on the environment, as new trees are planted in the place of the felled trees. It is a completely natural and ecological product, pleasant to the touch. It is characterized primarily by excellent acoustic and thermal insulation parameters, as well as high resistance to external factors.

The high quality of wooden windows and doors is determined by properly selected and dried wood and its density. Our offer includes products made of spruce, pine, oak and meranti.



NATURO 68

WINDOW SYSTEM



68	24-32	3	4	2	1,36
construction depth [mm]	glazing with packages [mm]	layers of glued wood	layers of varnish	gaskets	Uw for Ug = 1,1 (aluminium spacer)



belgian profile A/B



aluminium spacer



A model of a Naturo wooden window with the smallest installation depth of 68 mm. Thanks to the use of the latest technologies, this product is characterized by high energy efficiency. The window is available in two versions: standard and ALU.

The possibility of using the Renoline aluminium cover. In the Naturo 68 window system, the standard double-glazed unit 4/16 / 4ONE with the parameter Ug = 1.0. The best thermal parameters have been achieved thanks to the use of a heat-insulating frame and a 2-gasket system.

NATURO 68



RENOLINE OVERLAY



MONOBLOCK 100/120/140/160



UNDERCUT

NATURO 76

WINDOW SYSTEM



76	28-41	3-4	4	2	1,06
construction depth [mm]	glazing with packages [mm]	layers of glued wood	layers of varnish	gaskets	Uw for Ug = 0,7 (aluminium spacer)



belgian profile A / B



aluminium spacer



The Naturo wooden window with construction depth of 76 mm is equipped with highly energy-saving solutions as standard. Technologically advanced thermal insulation packages allow you to enjoy the style of a wooden window with the best thermal parameters.

Naturo 76 windows are available in two versions: basic and ALU. Windows can be equipped with muntin bars,, thanks to which they will gain a unique and elegant character. The muntin bars work well both in windows intended for traditional and modern construction.

NATURO 76



GEMINI CLASSIC OVERLAY



MONOBLOCK 100/120/140/160



UNDERCUT

NATURO 88

WINDOW SYSTEM



88	48-51	3-4	4	2	1,36
construction depth [mm]	glazing with packages [mm]	layers of glued wood	layers of varnish	gaskets	Uw for Ug = 1,1 (aluminium spacer)



aluminium spacer

The joinery made on the basis of the Naturo 88 profile is recommended for energy-saving construction. An energy-saving window reduces the energy consumption for heating, keeping heat in the building. Energy-saving Eko-Okna's windows are characterized by excellent insulation parameters. Their profiles are characterized by very good insulation while maintaining the optimal construction depth

Optional decorations and available finishing versions make the window made on the basis of the Naturo 88 system fit into any façade. With its help, it is possible to produce not only windows, but also PSK systems.

For people who want to keep the elegance and style of wooden windows, we recommend supplementing them with muntins. Thanks to this, the windows will gain a unique character.

NATURO ALU 65

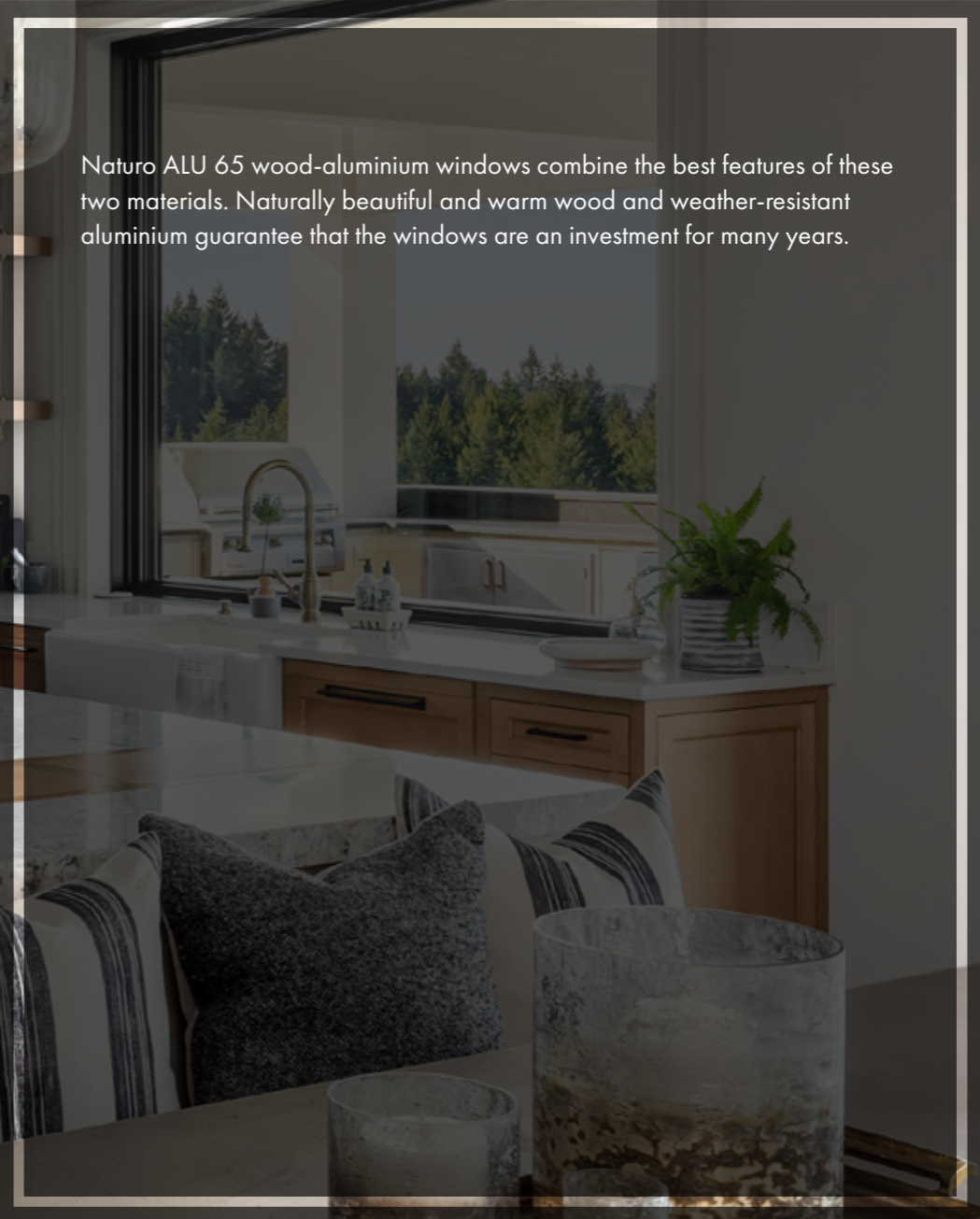
WINDOW SYSTEM



65	26-32	3-4	4	3	0,99
construction depth [mm]	glazing with packages [mm]	layers of glued wood	layers of varnish	gaskets	Uw for Ug = 0,7 (aluminium spacer)



aluminium spacer



Naturo ALU 65 wood-aluminium windows combine the best features of these two materials. Naturally beautiful and warm wood and weather-resistant aluminium guarantee that the windows are an investment for many years.

NATURO ALU 65

NATURO ALU 75

WINDOW SYSTEM



75	32-50	3-4	4	3	0,89
construction depth [mm]	glazing with packages [mm]	layers of glued wood	layers of varnish	gaskets	Uw for Ug = 0,6 (aluminium spacer)



aluminium spacer

The Naturo ALU 75 window is a unique combination of a natural wooden interior and an indestructible aluminium coating. It uses the best features of both materials, making it not only an interesting architectural solution, but also a durable and solid solution for modern construction.

ESPERIA LIFE 80

WINDOW SYSTEM



80	24-48	3-4	4	3	0,86
construction depth [mm]	glazing with packages [mm]	layers of glued wood	layers of varnish	gaskets	Uw for Ug = 0,5 (warm spacer)



warm spacer



ESPERIA LIFE 80

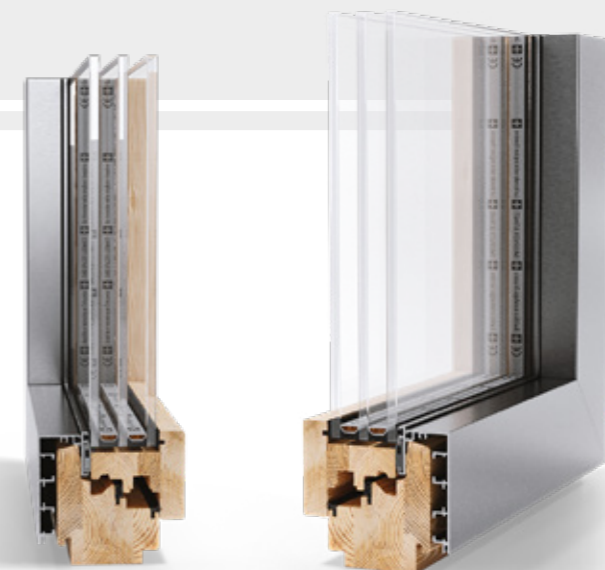
Esperia Life windows combine elegance and functionality. These are warm windows with narrow profiles, thanks to which up to 12% more natural light gets into the interior. They are suitable for both new buildings and renovation.

ESPERIA LIFE ALU 74

A modern window system with the smallest installation depth from the entire Esperia Life series. Wood-aluminium profile and possibility the use of thicker glazing packages ensure that this product is characterized by high energy efficiency.

ESPERIA LIFE ALU 74

SYSTEM WITH ALUMINIUM COVER



74
construction depth [mm]

ESPERIA LIFE 92

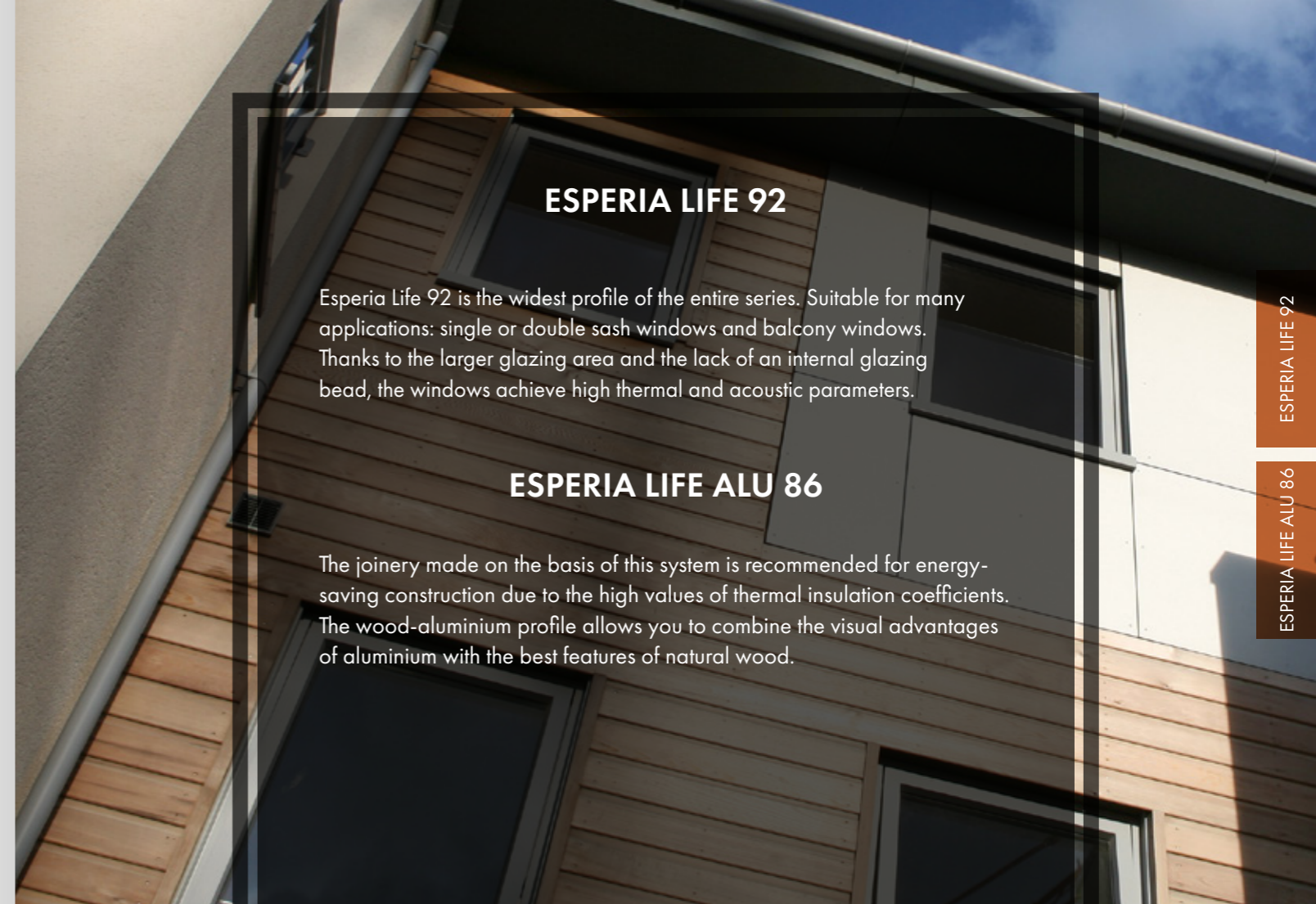
WINDOW SYSTEM



92	24-58	3-4	4	3	0,8
construction depth [mm]	glazing with packages [mm]	layers of glued wood	layers of varnish	gaskets	Uw for Ug = 0,5 (warm spacer)



warm spacer



ESPERIA LIFE 92

Esperia Life 92 is the widest profile of the entire series. Suitable for many applications: single or double sash windows and balcony windows. Thanks to the larger glazing area and the lack of an internal glazing bead, the windows achieve high thermal and acoustic parameters.

ESPERIA LIFE ALU 86

The joinery made on the basis of this system is recommended for energy-saving construction due to the high values of thermal insulation coefficients. The wood-aluminium profile allows you to combine the visual advantages of aluminium with the best features of natural wood.

ESPERIA LIFE ALU 86

SYSTEM WITH ALUMINIUM COVER



86

construction depth [mm]

NATURO 68 HST

SLIDING SYSTEM



3,3

max. sash width
[m]

1/2

guiding rails

3

height [m]

164

construction
depth [mm]

NATURO 76 HST

SLIDING SYSTEM



1/2

guiding rails

2,8

height [m]

180

construction
depth [mm]





ACCESSORIES



DUTCH PROFILE

Blockprofil 115 mm is dedicated to the Dutch market. A characteristic feature of these profiles is a wide frame, a very stable and strong frame. The main distinguishing features of this structure are clearly defined edges and boldly designed frame and sash components.



BELGIAN PROFILE A

Due to its specificity and unique aesthetic qualities, it is mainly used in France, Belgium and the Netherlands. In the Belgian system, instead of aluminium, windows use drip caps made entirely of wood.



BELGIAN PROFILE B

Due to its specificity and unique aesthetic qualities, it is mainly used in France, Belgium and the Netherlands. In the Belgian system, instead of aluminium, wooden drip caps with eaves strips are used and, at the customer's request, a RETRO strip is added.



GLASS PANES

The selection of a glazing package is often limited to the selection of the number of panes, which makes them more or less energy-efficient. However, our offer is much wider. We offer energy-saving, sound-absorbing, safe, anti-burglary and anti-sun glass panes. In addition, we have a wide range of ornamental glass in several dozen designs to choose from.

The inter-pane space of the formed units is usually filled with 90% argon. We also offer krypton-filled glass, thanks to which it is possible to obtain a heat transfer coefficient of up to 0.3 W / m²K.

The possibility of combining different types of glass and a smaller or more glass panes allows to obtain the appropriate parameters for each type of windows and doors from our offer.

We present a summary of the basic types of insulating glass with a description of their functions:



1-chamber glazing packages

Single-chamber double glazing composed of two glass panes. It is a standard for basic window and door systems.



Double-chamber glazing

Double-chamber insulated glass increase thermal comfort in the room. Separation of the inter-pane space with an additional glass pane significantly reduces heat transfer.



Sound-absorbing

Insulating glass units with a special acoustic foil provide an increased level of soundproofing.



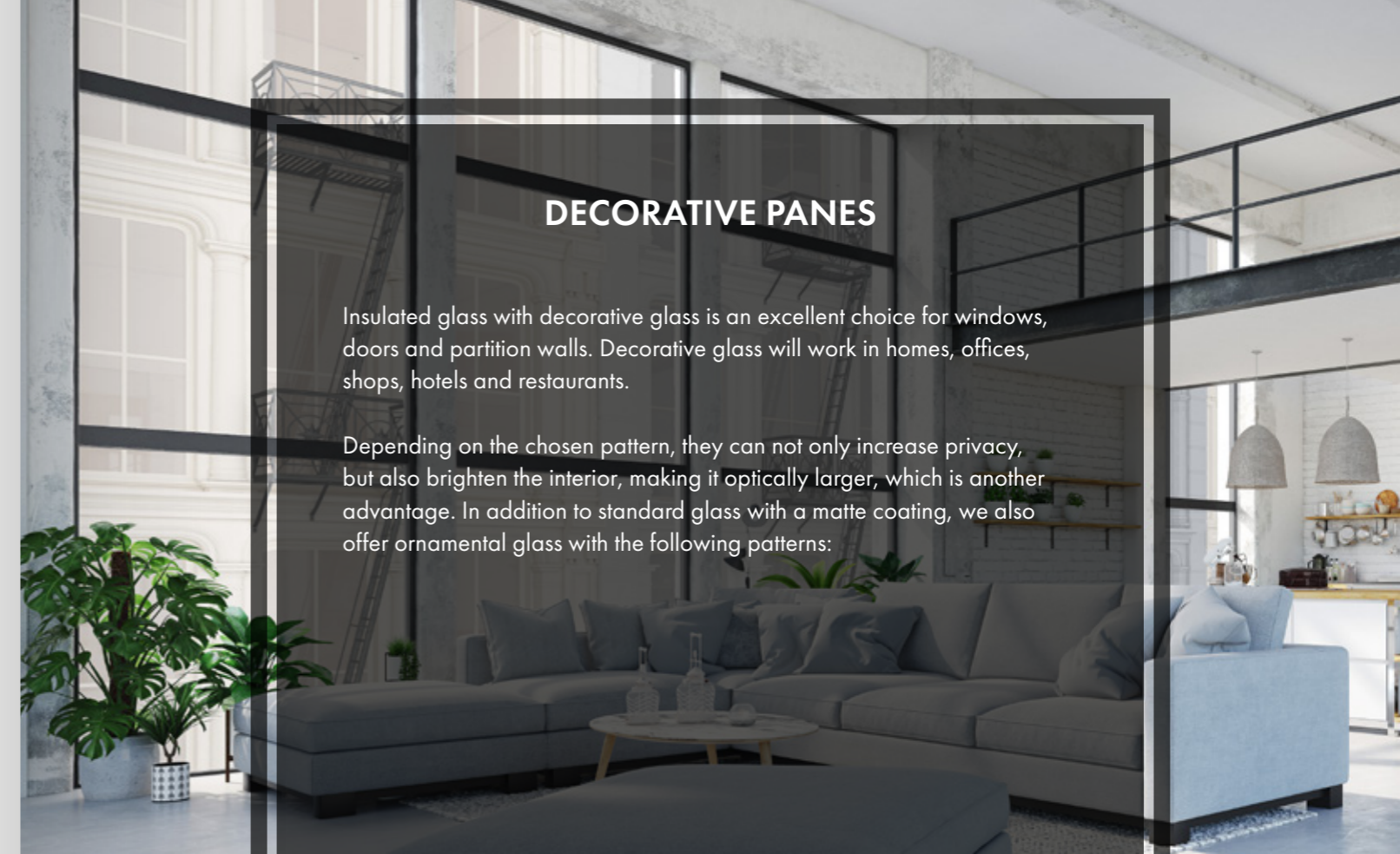
Safe

Laminated and / or toughened panes increase safety. Their puncture or shatter resistance is tailored to the customer's requirements.



Solar control

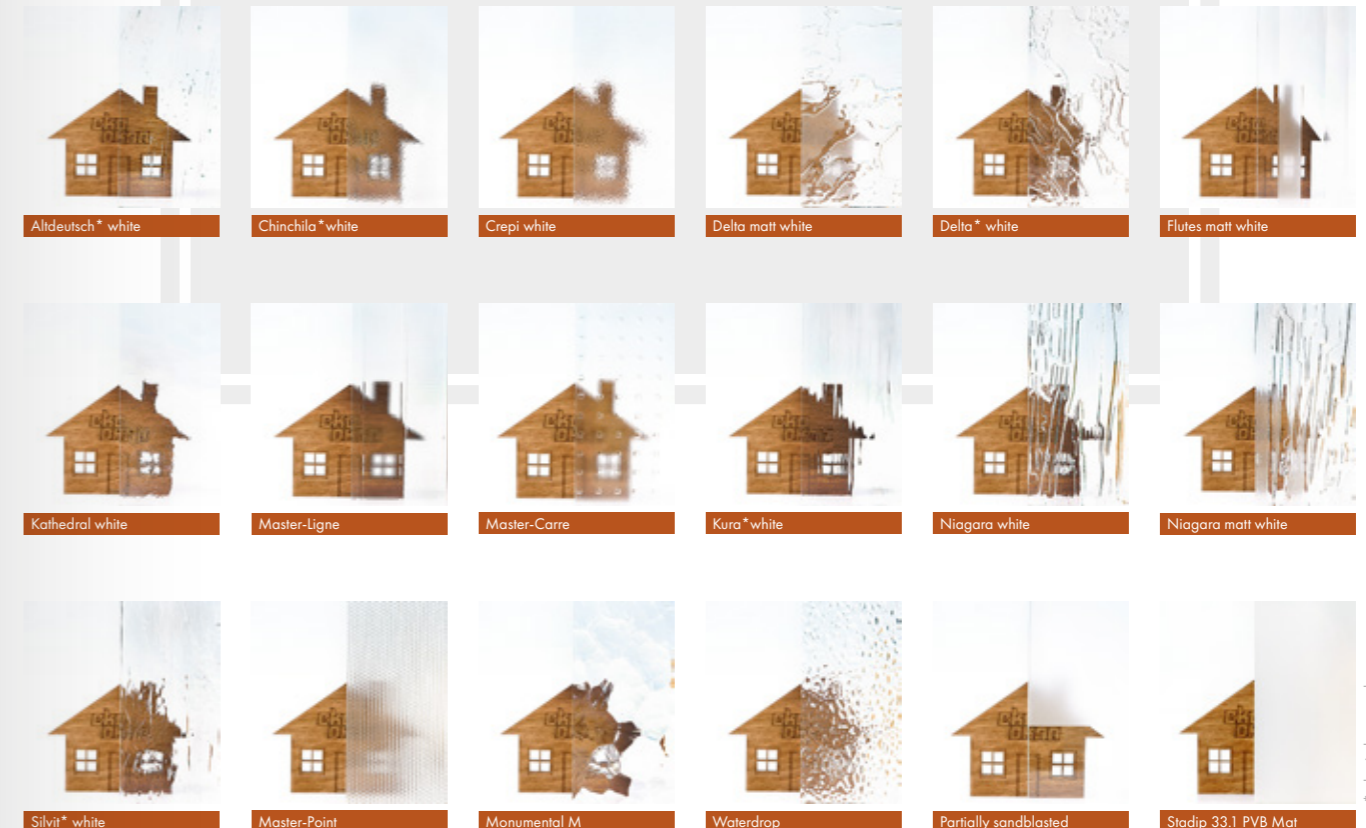
Glass allowing the reduction of the flow of light and solar energy into the room. They are offered with selective, absorbent or reflective glass.



DECORATIVE PANES

Insulated glass with decorative glass is an excellent choice for windows, doors and partition walls. Decorative glass will work in homes, offices, shops, hotels and restaurants.

Depending on the chosen pattern, they can not only increase privacy, but also brighten the interior, making it optically larger, which is another advantage. In addition to standard glass with a matte coating, we also offer ornamental glass with the following patterns:



MUNTINS

The muntin bars give the windows an elegant and unique character, and in some cases are an indispensable decorative element referring to the old architectural style.



Constructive

They are located in the wing structure and divide the glass into parts. They are always wooden and in the colour of the window sash.



Inter-pane

The aluminium muntins in the glazing package are already assembled at the supplier's. They have the colour of the inter pane frame (a large selection of colours). Available frame widths: 8, 18, 26 and 45 mm.



Glued on

This type of muntin bars is glued onto the glass. There is a duplex inside that can be in the colour of a warm spacer or silver. The muntins are glued in the same colour as the window sash.

Aluminium covers

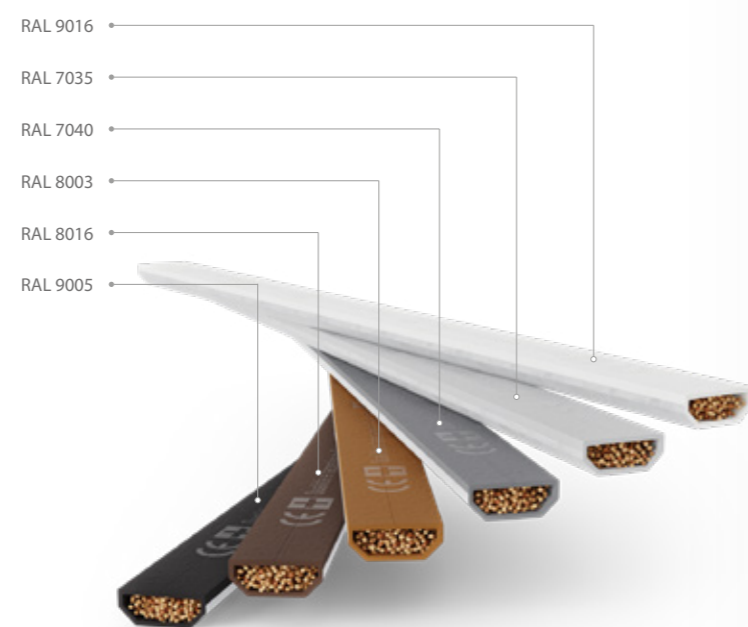
In windows with aluskin overlays, the muntins are made of aluminium from the outside, while inside they are wooden in the colour of the sash.

SPACER FRAMES SWISSPACER ULTIMATE

In addition to the standard frame made of aluminium, we also offer one of the best warm spacers available in the world.

With the Swisspacer Ultimate spacer, the Ψ factor is only $0.03 \text{ W} / \text{m}^2\text{K}$. The lower value of this coefficient not only reduces the possibility of water vapour condensation on the edges of the glass, but also allows for a significant reduction of the thermal transmittance coefficient for the entire window.

The frames are available in several colours from the RAL palette.



FITTINGS

Multi-point locking hardware in the RC1 and RC2 security class.

When choosing windows, it is worth paying attention to the class of anti-burglary protection.

RC1 and RC2 are burglary resistance classes that have been defined in the European standard PN-EN 1627: 2012. The markings tell you how effective the window technique is for a burglar. It is determined based on very strict criteria. RC2 windows should be installed where there is a risk of burglary. They will work well on high and low ground floors - places to which a thief can get very easy access, as well as at balcony and terrace doors. RC1 windows, in turn, have standard security.

WOODEN WINDOW SILLS

Window sill patterns matched to the appearance of the window.



ADDITIONAL WINDOW ACCESSORIES

- door handles with a key,
- handles with a button,
- angle connectors,
- diffusers,
- extensions,
- angles,
- masking strips.

In addition to standard window handles, we also offer handles with a button or key blocking the possibility of opening the window. We also offer a wide selection of shapes and colors, so you can easily match them to the appearance of the selected joinery. We also offer handles with an anti-drill lock and meeting the burglary resistance requirements in the RC1-RC6 class.

HANDLE FKS 1006



HANDLE FAM NEPTUN



Many different handle designs are available, please contact your sales representatives for more information.

DRIP CAPS



Aluminium

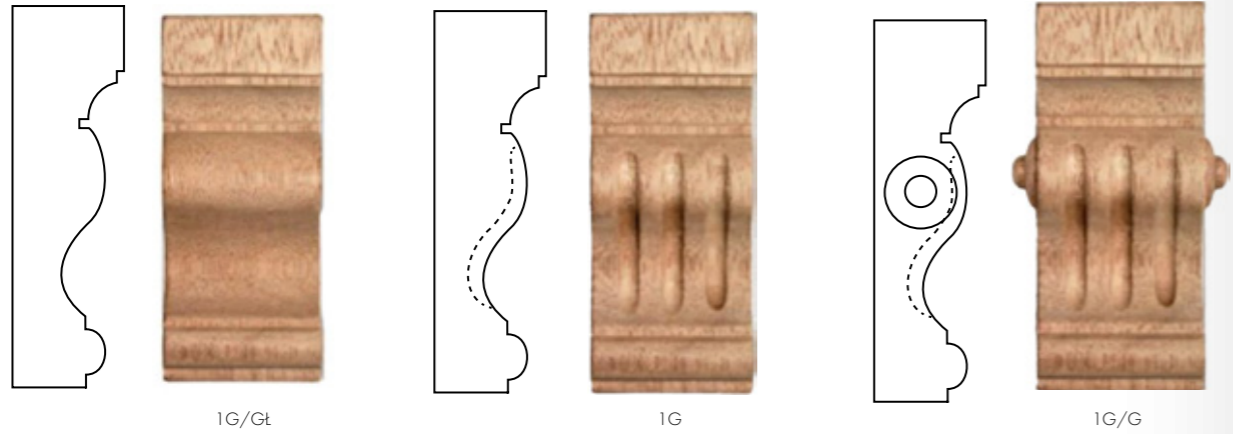
Installed as standard.



Wood

Optional.

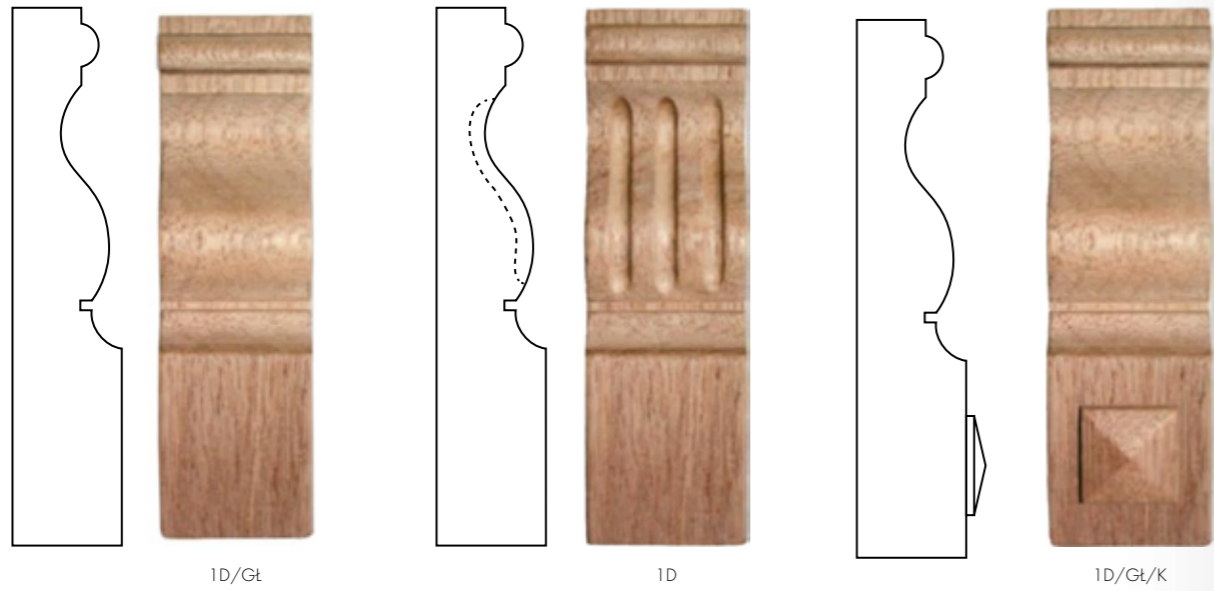
WOODEN ORNAMENTS



1G/Gt

1G

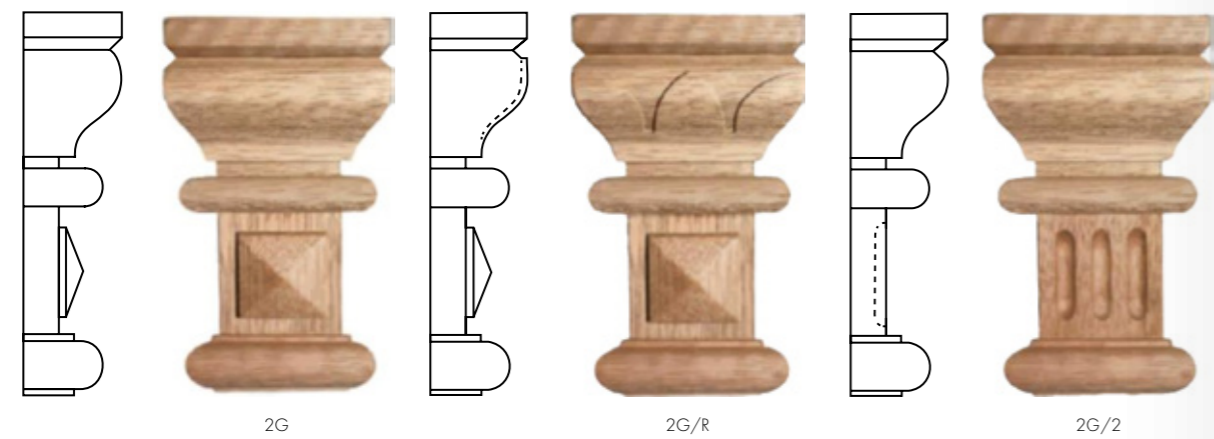
1G/G



1D/Gt

1D

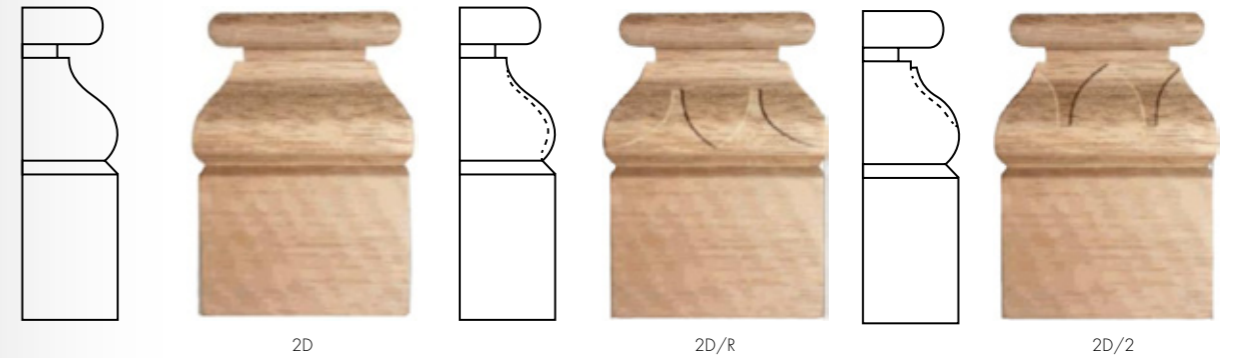
1D/Gt/K



2G

2G/R

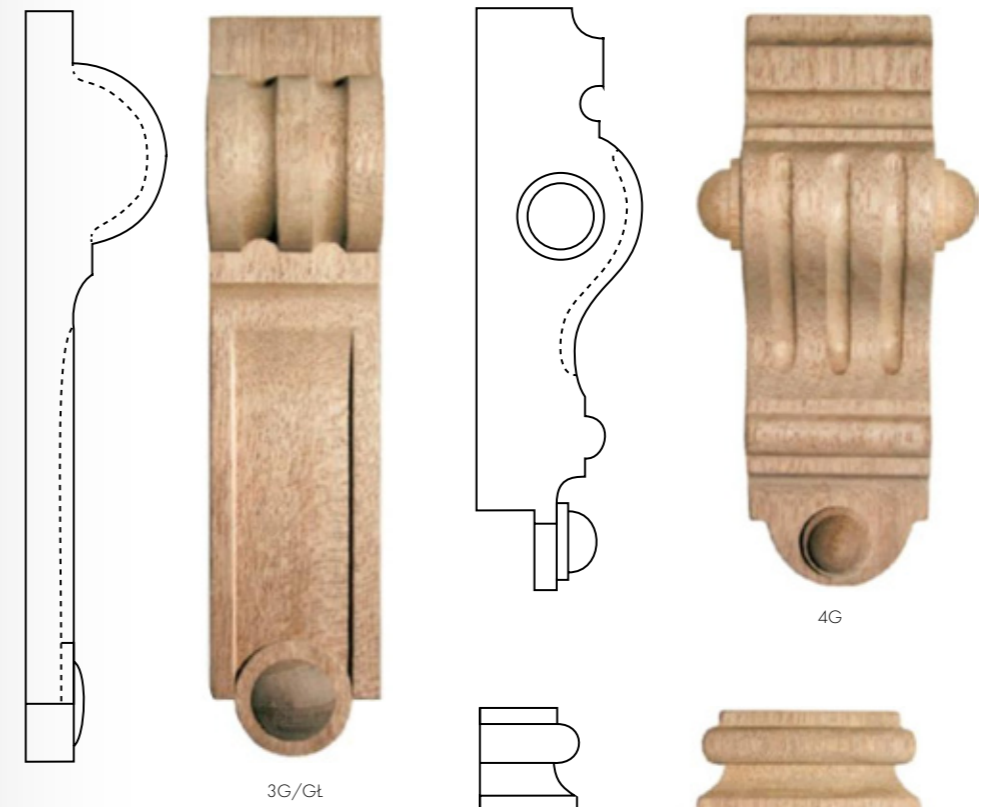
2G/2



2D

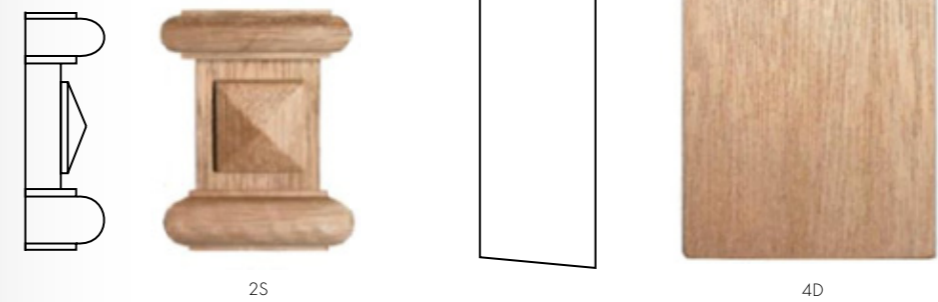
2D/R

2D/2



3G/Gt

4G



2S

4D

We have wooden ornaments of various designs, adapted to the systems chosen. The catalog presents the basic models; full offer available from sales representatives.



MODEL WINDOWS AND DOORS

We offer arched and slanted woodwork that fits perfectly into buildings in various styles. Investors more and more often choose unusual shapes.

Arched windows give the interior and facade a unique character. They are also often ornaments of classic mansions, historic palaces and buildings. Slanted windows, on the other hand, are a proposal for modern buildings, which in their form refer to more traditional facilities.

We focus on the latest technology, thanks to which we are able to adapt to individual customer expectations. Thanks to the highest quality materials and the latest technologies, the only limit is your imagination.



arch



triangle



trapeze



circle

(+) fixed window - does not open



WoodLine

WOODLINE DOOR PANELS

The WoodLine door collection was created for the supporters of modern and practical solutions based on traditional materials. There are slightly more simple, milled door designs or models with glazing to choose from. Thanks to high-quality varnishes, the door is resistant to external conditions and easy to maintain.



* The panel is not solid wood, so there may be differences in the shades of lacures.





WoodLine 1 WoodLine 2 WoodLine 5 WoodLine 6 WoodLine 7



WoodLine 16 WoodLine 18 WoodLine 19 WoodLine 20 WoodLine 21



WoodLine 10 WoodLine 12 WoodLine 13 WoodLine 14 WoodLine 15



WoodLine 22 WoodLine 23 WoodLine 24 WoodLine 25 WoodLine 26

Colours according to the TEKNOS colour palette and the RAL colour guide.
Possibility to use a matte coating of WALA handrails, numeric keypad, letterbox, visor.

Panels without the INOX overlay as standard. The use of the INOX overlay after prior agreement with the technological department.



Woodline 28 Woodline 29 Woodline 34 Woodline 36 Woodline 37



Woodline 46 Woodline 49 Woodline 50 Woodline 51 Woodline 52



Woodline 40 Woodline 41 Woodline 42 Woodline 43 Woodline 45



Woodline 54 Woodline 72 Woodline 73 Woodline 74 Woodline 75

Colours according to the TEKNOS colour palette and the RAL colour guide.
Possibility to use a matte coating of WALA handrails, numeric keypad, letterbox, visor.

Panels without the INOX overlay as standard. The use of the INOX overlay after prior agreement with the technological department.



WoodLine 76 WoodLine 77 WoodLine 78 WoodLine 79 WoodLine 82



WoodLine 91 WoodLine 92 WoodLine 94 WoodLine 95 WoodLine 99 WoodLine 100



WoodLine 86 WoodLine 87 WoodLine 88 WoodLine 89 WoodLine 90



WoodLine 101 WoodLine 106 WoodLine 109 WoodLine 110 WoodLine 111 WoodLine 112

Colours according to the TEKNOS colour palette and the RAL colour guide.
Possibility to use a matte coating of WALA handrails, numeric keypad, letterbox, visor.

Panels without the INOX overlay as standard. The use of the INOX overlay after prior agreement with the technological department.

EKOVITRE DOOR PANELS

It is not only style and elegance, but also safety and energy efficiency. The 36 mm thick panels are made of two sheets of VSG glass, one of which has sand-blasted patterns. The space between the glass is filled with noble gas. The panels are made of high-quality materials that guarantee an aesthetic appearance and durability.

A very large number of designs available in our offer allows for a huge amount of arrangement possibilities. EkoVitre door panels are not only an ornament, but also protection against noise and heat loss.





EkoVitre 01



EkoVitre 02



EkoVitre 03



EkoVitre 04



EkoVitre 09



EkoVitre 10



EkoVitre 11



EkoVitre 12



EkoVitre 05



EkoVitre 06



EkoVitre 07



EkoVitre 08



EkoVitre 13



EkoVitre 14



EkoVitre 15

Standard glazing in door panels is made of frosted glass.
Construction of batch glass panel: VSG 44.4, sandblasting as per pattern, 18 mm frame,
VSG 44.2 Plh. XN. Panel thickness 36 mm, max. dimension 2200x950 mm, min. dimension 1700x700 mm.

WOODEN DOORS

They were created for customers who appreciate simplicity, elegance and naturalness. The unique style, unusual forms of decorations, specially selected materials and modern technologies guarantee their use for many years.

The great advantage of wooden doors is very good thermal insulation. Compared to other types of doors, such as aluminium or plastic, wooden has better thermal insulation properties. This means that they help to maintain a constant temperature level inside buildings, which contributes to lower heating costs.

Wooden doors look elegant and can be made of various types of wood, thanks to which they will fit perfectly into any type of building and facade style.





Model 01



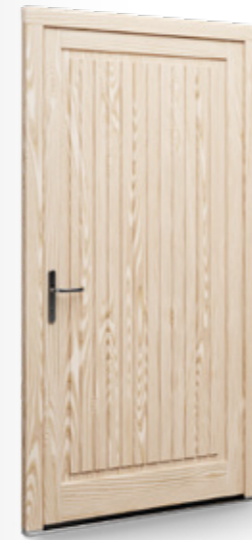
Model 02



Model 03



Model 04



Model 09



Model 10



Model 11



Model 12



Model 05



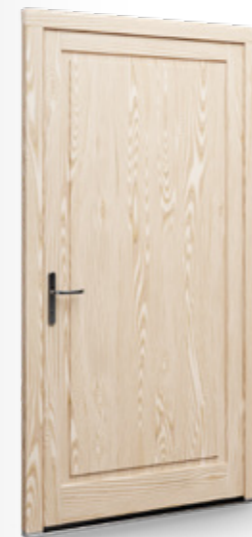
Model 06



Model 07



Model 08



Model 13



Model 14



Model 15



Model 16



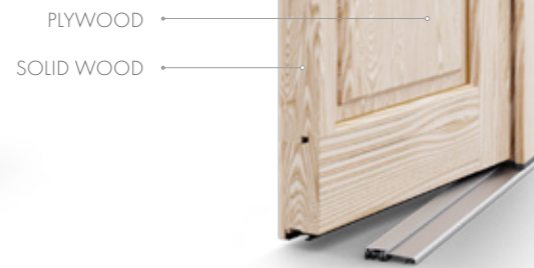
Model 17



Model 18



Model 19



VARNISH COLOURS*

	PINE	SPRUCE	MERANTI	OAK
PINE				
OLD PINE				
CYPRESS				
IROKO				
OAK				
CALVADOS				
WALNUT				
KEMPAS				

VARNISH COLOURS*

	PINE	SPRUCE	MERANTI	OAK
CHESTNUT				
MAHOGANI				
FRAMIRE				
SAPELLI				
AFROMOSIA				
CHERRY				
WENGE				
ACAJOU				

* the colour of the varnish may vary depending on the type of wood



DOOR HANDLES AND HANDRAILS

The door handles offer includes both handles with a standard plate and a separate plate (handle-cylinder). It is appreciated for the variety of patterns, colours, functionality of the handles and their anti-burglary properties.

We offer elegant and modern door handles for external doors. They can be of various shapes and lengths. We also offer solutions such as a handle-pull, which limit access to the building from the outside.



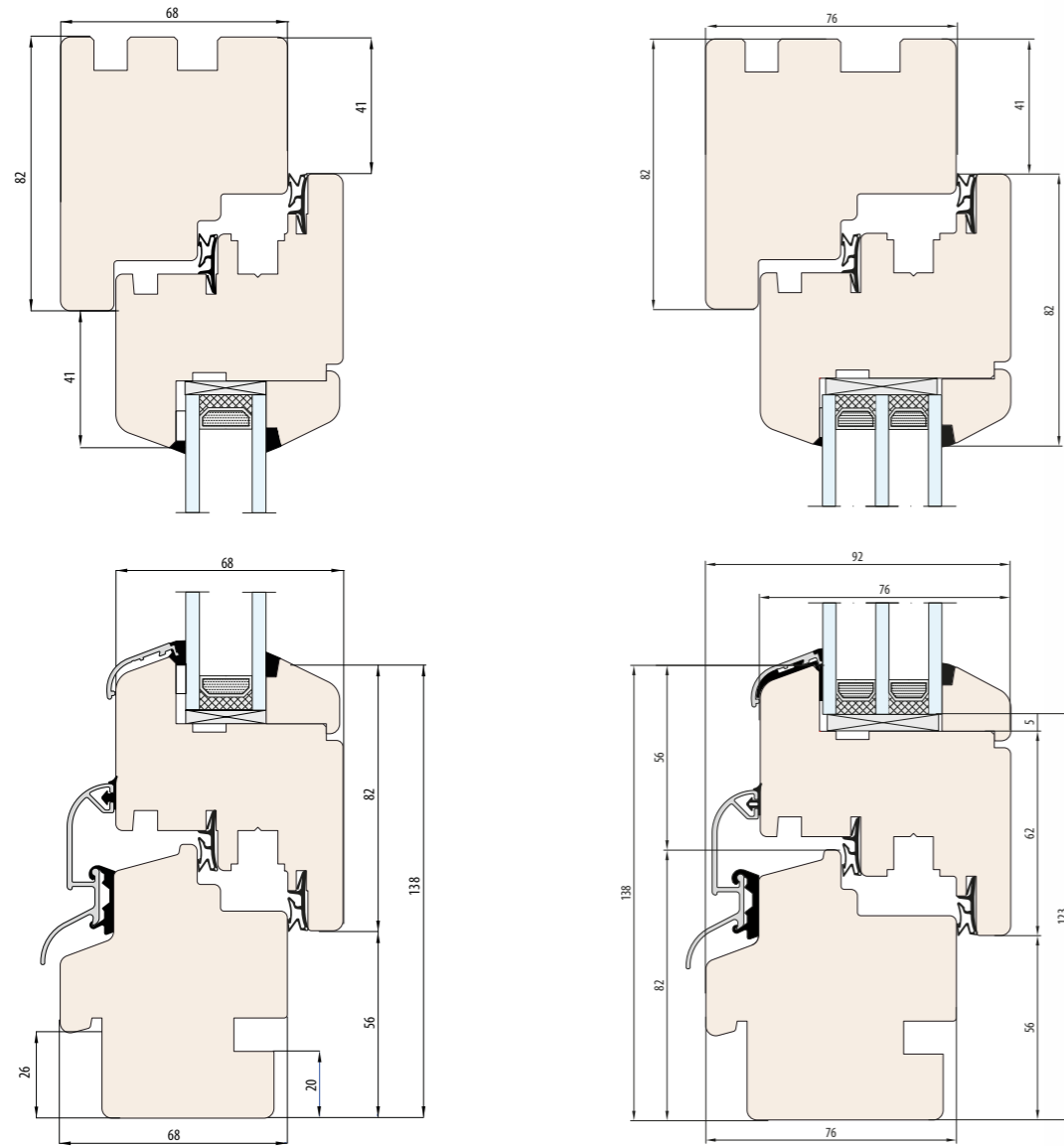
Handrail **P1** Handrail **P5** Handrail **DP70** Handrail **DP80**

There are many different designs of handles and handrails, more information from sales representatives.



CROSS-SECTIONS

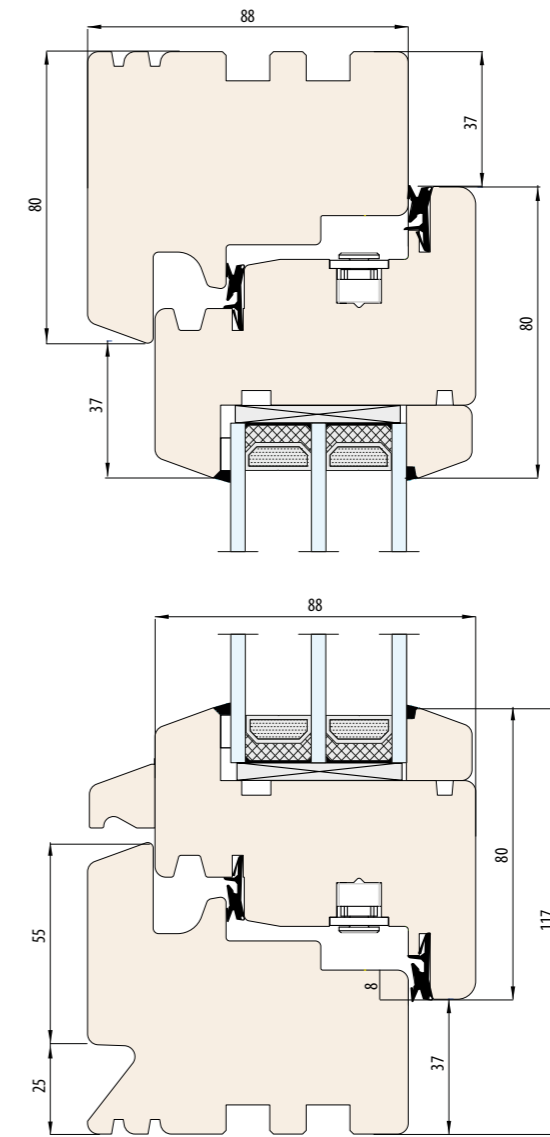
NATURO



NATURO 68

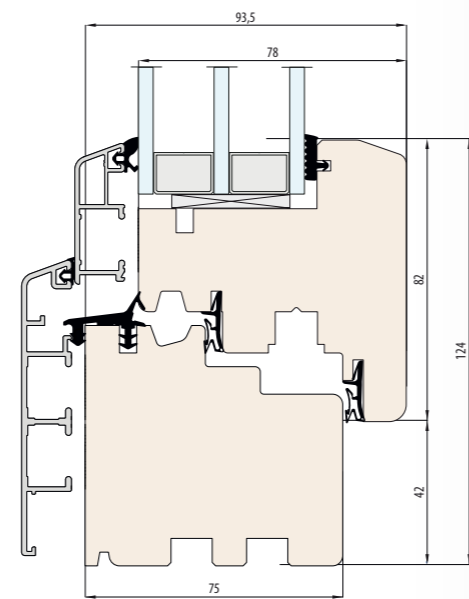
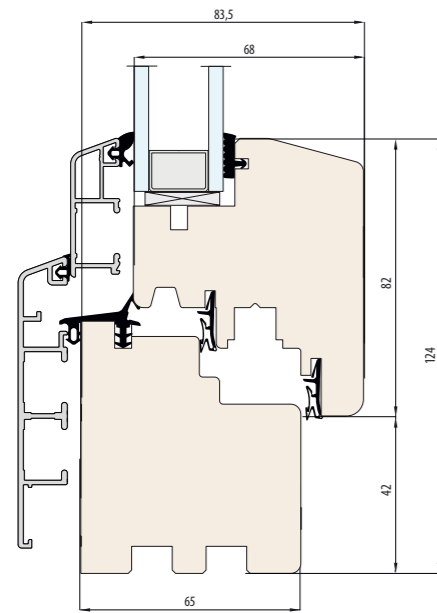
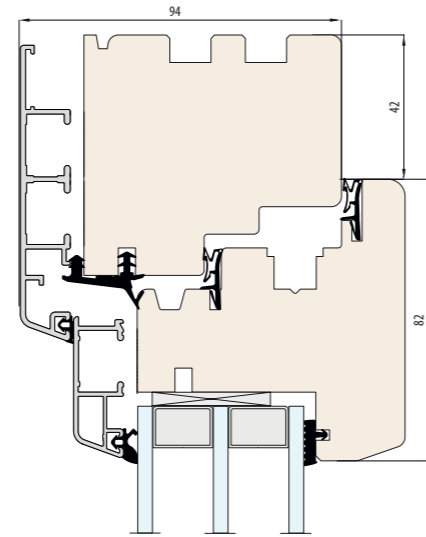
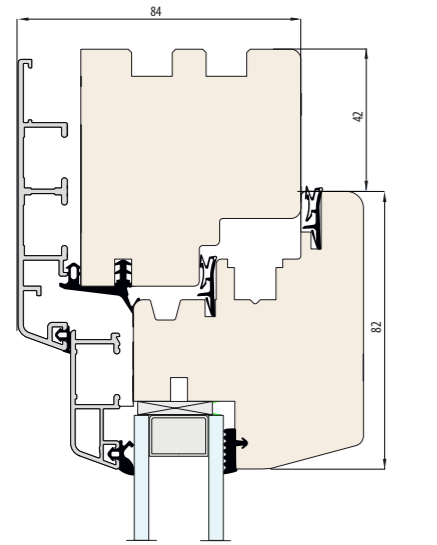
NATURO 76

NATURO



NATURO 88

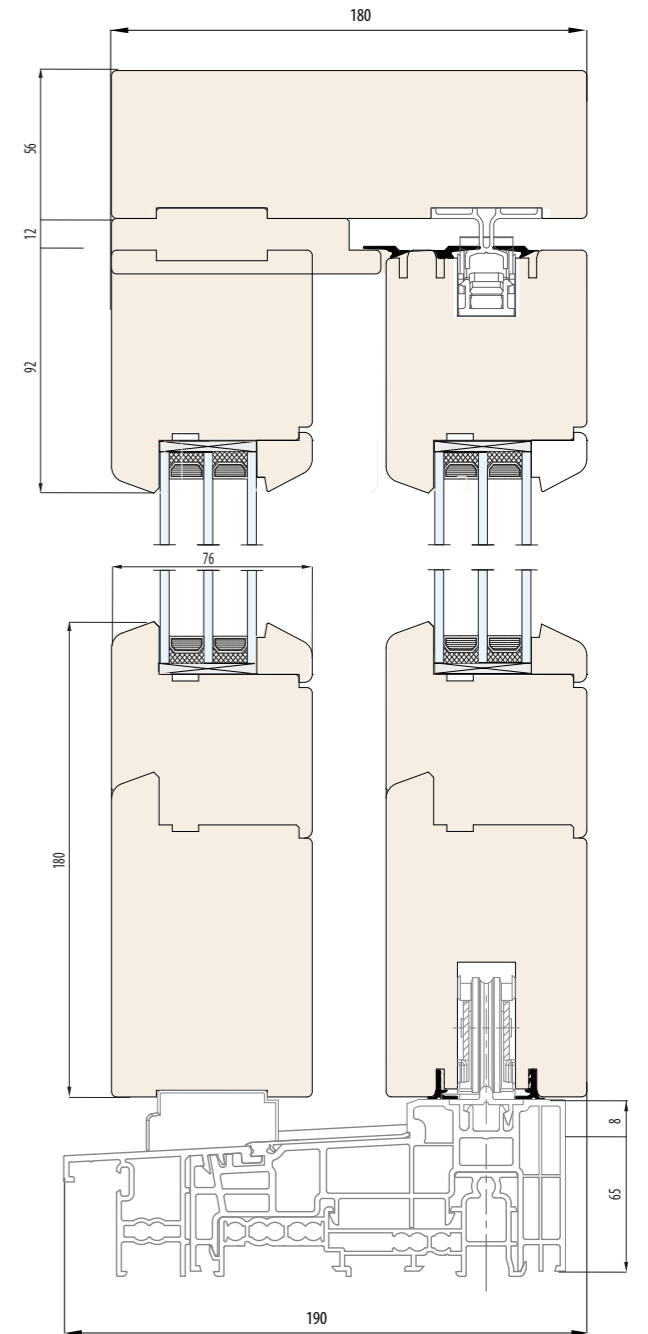
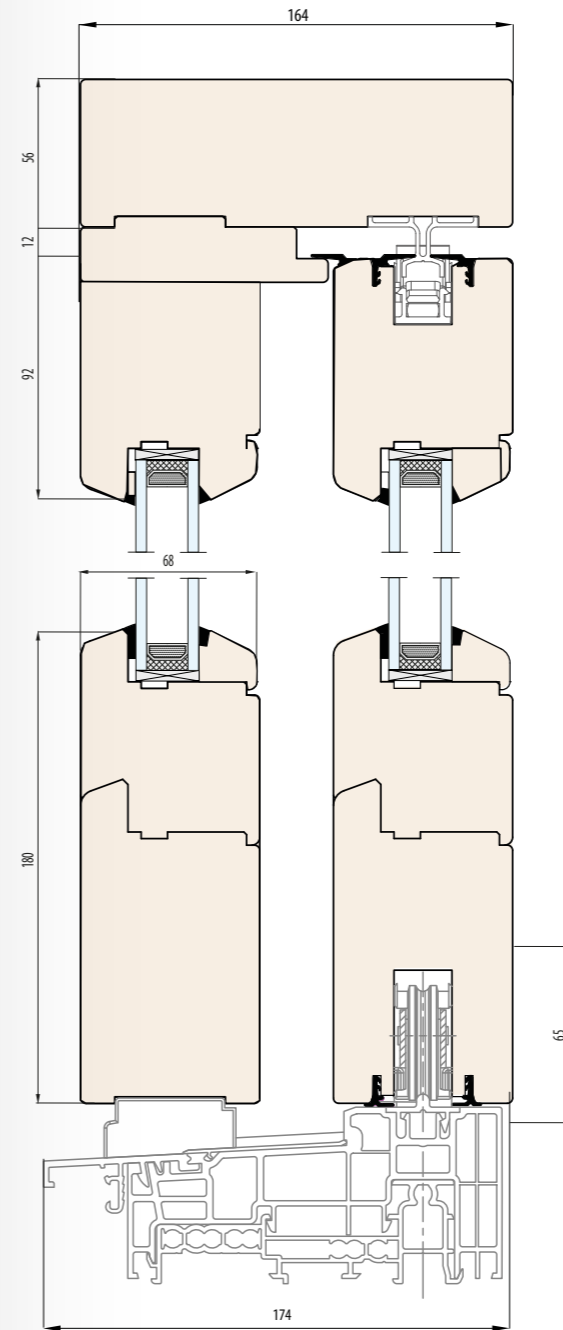
NATURO ALU



NATURO ALU 65

NATURO ALU 75

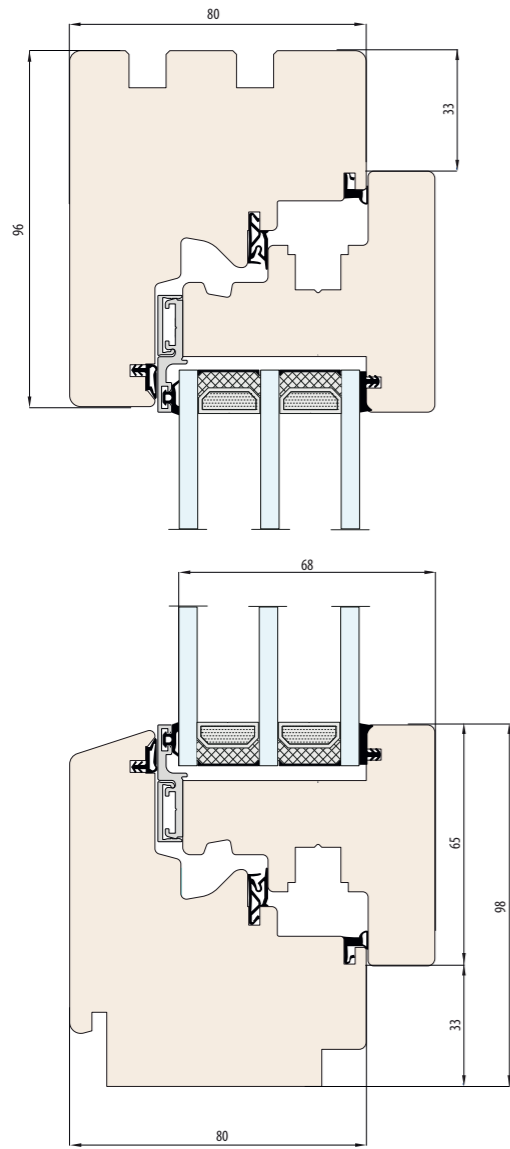
NATURO HST



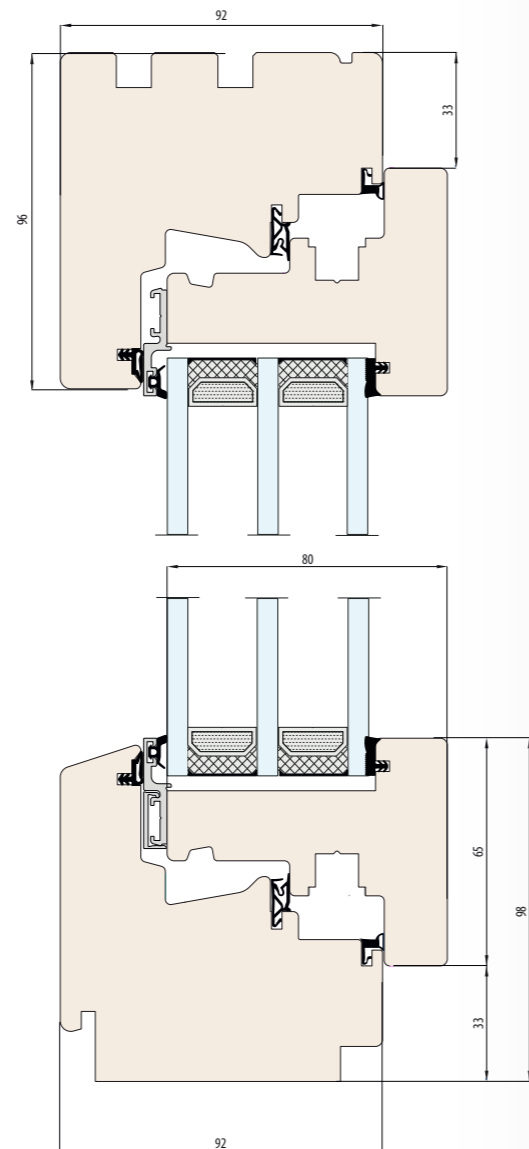
NATURO 68 HST

NATURO 76 HST

ESPERIA LIFE

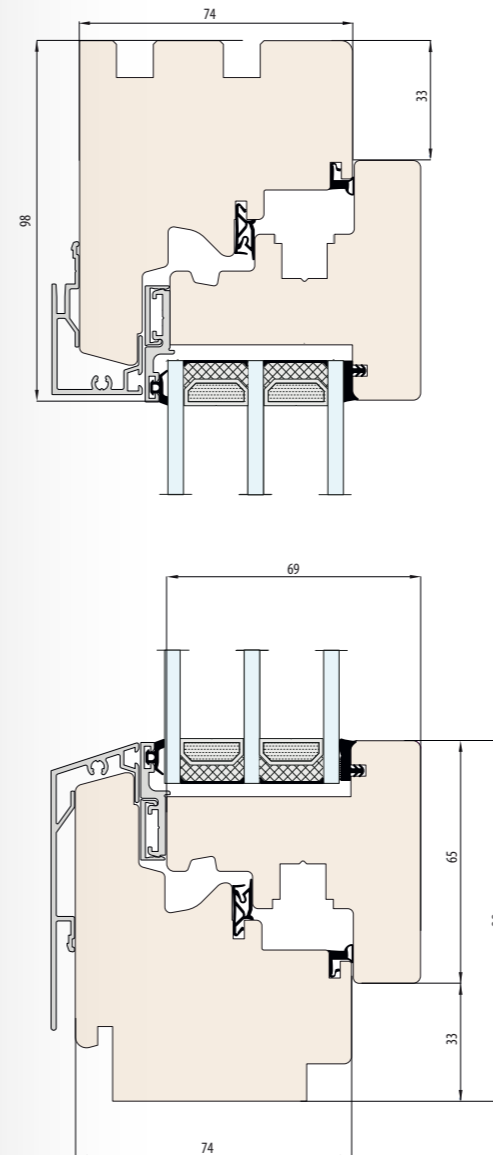


ESPERIA LIFE 80

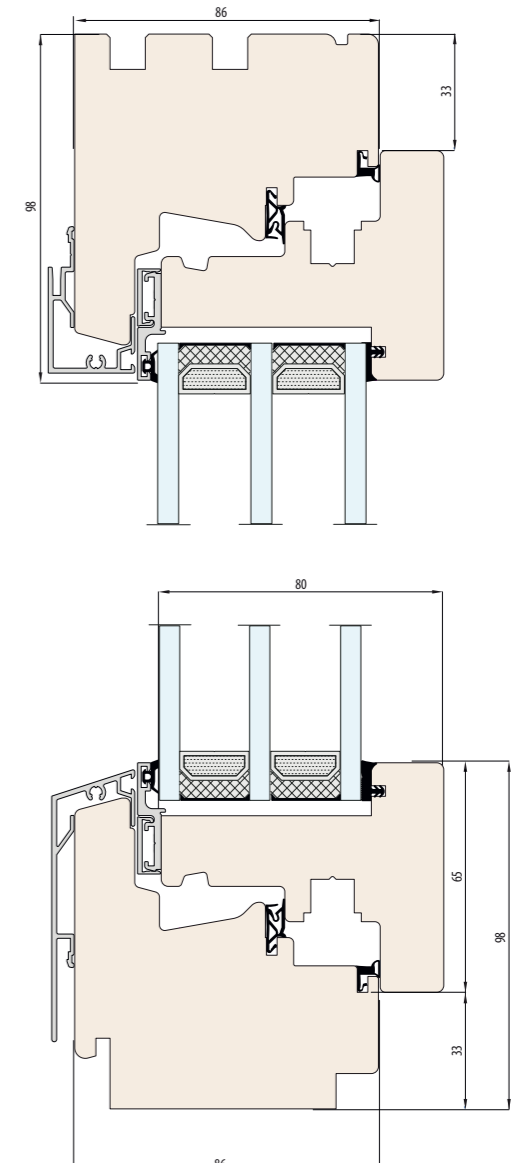


ESPERIA LIFE 92

ESPERIA LIFE ALU



ESPERIA LIFE ALU 74



ESPERIA LIFE ALU 86



2/2022

